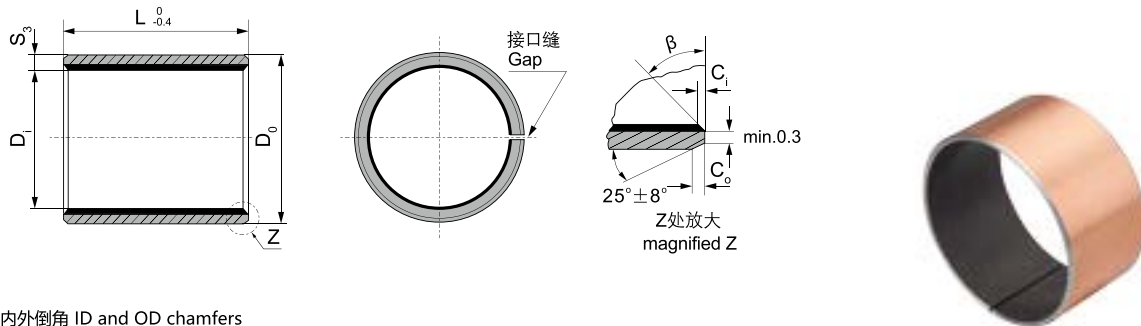


# SF-1 自润滑卷制轴承标准公制尺寸

## SF-1 Self-Lubricating Bearing Standard Metric Size



内外倒角 ID and OD chamfers

| S <sub>3</sub> | C <sub>o</sub> | C <sub>i</sub> | β      |
|----------------|----------------|----------------|--------|
| 0.75           | 0.5±0.3        | 0.25±0.2       | 30°±5° |
| 1.00           | 0.6±0.3        | 0.30±0.2       | 30°±5° |
| 1.50           | 0.7±0.3        | 0.50±0.3       | 30°±5° |

| S <sub>3</sub> | C <sub>o</sub> | C <sub>i</sub> | β      |
|----------------|----------------|----------------|--------|
| 2.00           | 1.2±0.4        | 0.50±0.3       | 30°±5° |
| 2.50           | 1.8±0.6        | 0.60±0.3       | 45°±5° |

Unit(单位): mm

| 轴径(f7)<br>Shaft<br>D <sub>s</sub> | 座孔(H7)<br>Housing<br>D <sub>H</sub> | (OD)<br>外径公差<br>Tolerance<br>D <sub>o</sub> | (ID)压装后<br>内孔公差<br>After<br>assembled<br>D <sub>i</sub> | 配合间隙<br>Clearance<br>D <sub>o</sub> | 壁厚<br>Wall thick-<br>ness<br>S <sub>3</sub> | 长度 L <sup>0</sup> <sub>-0.40</sub> (d≤Φ28 L-0.30<br>d>Φ30 L-0.40) |      |      |      |      |      |      |      |      |      |      |  |  |
|-----------------------------------|-------------------------------------|---|---|-------------------------------------|---|---|------|------|------|------|------|------|------|------|------|------|--|--|
|                                   |                                     |   |   |                                     |   | 6   | 8    | 10   | 12   | 15   | 20   | 25   | 30   | 40   | 50   |      |  |  |
| 6                                 | -0.010<br>-0.022                    | 8 +0.015                                    | 8 +0.055<br>+0.025                                      | 6.055<br>5.990                      | 0.077<br>0.000                              |   | 0606 | 0608 | 0610 |      |      |      |      |      |      |      |  |  |
| 8                                 | -0.013<br>-0.028                    | 10 +0.015                                   | 10 +0.055<br>+0.025                                     | 8.055<br>7.990                      | 0.083<br>0.003                              |   | 0806 | 0808 | 0810 | 0812 | 0815 |      |      |      |      |      |  |  |
| 10                                | -0.013<br>-0.028                    | 12 +0.018                                   | 12 +0.065<br>+0.030                                     | 10.058<br>9.990                     | 0.086<br>0.003                              |   | 1006 | 1008 | 1010 | 1012 | 1015 | 1020 |      |      |      |      |  |  |
| 12                                | -0.016<br>-0.034                    | 14 +0.018                                   | 14 +0.065<br>+0.030                                     | 12.058<br>11.990                    |   |   | 1206 | 1208 | 1210 | 1212 | 1215 | 1220 | 1225 |      |      |      |  |  |
| 13                                | -0.016<br>-0.034                    | 15 +0.018                                   | 15 +0.065<br>+0.030                                     | 13.058<br>12.990                    |   |   |      |      | 1310 | 1312 | 1315 | 1320 | 1325 |      |      |      |  |  |
| 14                                | -0.016<br>-0.034                    | 16 +0.018                                   | 16 +0.065<br>+0.030                                     | 14.058<br>13.990                    | 0.092<br>0.006                              | 1.005<br>0.980  |      |      | 1410 | 1412 | 1415 | 1420 | 1425 |      |      |      |  |  |
| 15                                | -0.016<br>-0.034                    | 17 +0.018                                   | 17 +0.065<br>+0.030                                     | 15.058<br>14.990                    |   |   |      |      | 1510 | 1512 | 1515 | 1520 | 1525 |      |      |      |  |  |
| 16                                | -0.016<br>-0.034                    | 18 +0.018                                   | 18 +0.065<br>+0.030                                     | 16.058<br>15.990                    |   |   |      |      | 1610 | 1612 | 1615 | 1620 | 1625 |      |      |      |  |  |
| 17                                | -0.016<br>-0.034                    | 19 +0.021                                   | 19 +0.075<br>+0.035                                     | 17.061<br>16.990                    | 0.095<br>0.006                              |   |      |      | 1710 | 1712 | 1715 | 1720 | 1725 |      |      |      |  |  |
| 18                                | -0.016<br>-0.034                    | 20 +0.021                                   | 20 +0.075<br>+0.035                                     | 18.061<br>17.990                    |   |   |      |      | 1810 | 1812 | 1815 | 1820 | 1825 |      |      |      |  |  |
| 20                                | -0.020<br>-0.041                    | 23 +0.021                                   | 23 +0.075<br>+0.035                                     | 20.071<br>19.990                    |   |   |      |      | 2010 | 2012 | 2015 | 2020 | 2025 | 2030 |      |      |  |  |
| 22                                | -0.020<br>-0.041                    | 25 +0.021                                   | 25 +0.075<br>+0.035                                     | 22.071<br>21.990                    | 0.112<br>0.010                              | 1.505<br>1.475  |      |      | 2210 | 2212 | 2215 | 2220 | 2225 | 2230 |      |      |  |  |
| 24                                | -0.020<br>-0.041                    | 27 +0.021                                   | 27 +0.075<br>+0.035                                     | 24.071<br>23.990                    |   |   |      |      | 2410 | 2412 | 2415 | 2420 | 2425 | 2430 |      |      |  |  |
| 25                                | -0.020<br>-0.041                    | 28 +0.021                                   | 28 +0.075<br>+0.035                                     | 25.071<br>24.990                    |   |   |      |      | 2510 | 2512 | 2515 | 2520 | 2525 | 2530 | 2540 | 2550 |  |  |
| 28                                | -0.020<br>-0.041                    | 32 +0.025                                   | 32 +0.085<br>+0.045                                     | 28.085<br>27.990                    | 0.126<br>0.010                              |   |      |      | 2812 | 2815 | 2820 | 2825 | 2830 | 2840 | 2850 |      |  |  |
| 30                                | -0.020<br>-0.041                    | 34 +0.025                                   | 34 +0.085<br>+0.045                                     | 30.085<br>29.990                    |   |   |      |      | 3012 | 3015 | 3020 | 3025 | 3030 | 3040 | 3050 |      |  |  |
| 32                                | -0.025<br>-0.050                    | 36 +0.025                                   | 36 +0.085<br>+0.045                                     | 32.085<br>31.990                    |   | 2.005<br>1.970  |      |      | 3212 | 3215 | 3220 | 3225 | 3230 | 3240 | 3250 |      |  |  |
| 35                                | -0.025<br>-0.050                    | 39 +0.025                                   | 39 +0.085<br>+0.045                                     | 35.085<br>34.990                    | 0.135<br>0.015                              |   |      |      | 3512 | 3515 | 3520 | 3525 | 3530 | 3540 | 3550 |      |  |  |
| 38                                | -0.025<br>-0.050                    | 42 +0.025                                   | 42 +0.085<br>+0.045                                     | 38.085<br>37.990                    |   |   |      |      | 3812 | 3815 | 3820 | 3825 | 3830 | 3840 | 3850 |      |  |  |
| 40                                | -0.025<br>-0.050                    | 44 +0.025                                   | 44 +0.085<br>+0.045                                     | 40.085<br>39.990                    |   |   |      |      | 4012 | 4015 | 4020 | 4025 | 4030 | 4040 | 4050 |      |  |  |

# SF-1 自润滑卷制轴承标准公制尺寸

## SF-1 Self-Lubricating Bearing Standard Metric Size



| 轴径 (F7)<br>Shaft<br>D <sub>s</sub> | 座孔 (H7)<br>Housing<br>D <sub>h</sub> | (OD)<br>外径公差<br>Tolerance<br>D <sub>o</sub> | (ID)压装后<br>内孔公差<br>After<br>assembled<br>D <sub>i</sub> | 配合间隙<br>Clearance<br>D <sub>o</sub> | 壁厚<br>Wall thick-<br>ness<br>S <sub>s</sub> | 长度 L |      |      |      |       |       |       |       |        |        |        |
|------------------------------------|--------------------------------------|---|---|-------------------------------------|---|------|------|------|------|-------|-------|-------|-------|--------|--------|--------|
|                                    |                                      |   |   |                                     |   | 20   | 25   | 30   | 40   | 50    | 60    | 70    | 80    | 100    | 115    |        |
| 45<br>-0.050<br>-0.025             | 50<br>+0.025                         | 50<br>+0.085<br>+0.045                      | 45.105<br>44.990  | 0.155<br>0.015                      | 2.505<br>2.460                              | 4520 | 4525 | 4530 | 4540 | 4550  |       |       |       |        |        |        |
| 50<br>-0.050<br>-0.025             | 55<br>+0.030                         | 55<br>+0.100<br>+0.055                      | 50.110<br>49.990  | 0.160<br>0.015                      |   | 5020 | 5025 | 5030 | 5040 | 5050  | 5060  |       |       |        |        |        |
| 55<br>-0.060<br>-0.030             | 60<br>+0.030                         | 60<br>+0.100<br>+0.055                      | 55.110<br>54.990  |                                     |   |      |      | 5530 | 5540 | 5550  | 5560  |       |       |        |        |        |
| 60<br>-0.060<br>-0.030             | 65<br>+0.030                         | 65<br>+0.100<br>+0.055                      | 60.110<br>59.990  |                                     |   |      |      | 6030 | 6040 | 6050  | 6060  | 6070  |       |        |        |        |
| 65<br>-0.060<br>-0.030             | 70<br>+0.030                         | 70<br>+0.100<br>+0.055                      | 65.110<br>64.990  | 0.170<br>0.020                      |   |      |      | 6530 | 6540 | 6550  | 6560  | 6570  |       |        |        |        |
| 70<br>-0.060<br>-0.030             | 75<br>+0.030                         | 75<br>+0.100<br>+0.055                      | 70.110<br>69.990  |                                     |   |      |      | 7030 | 7040 | 7050  | 7060  | 7070  | 7080  |        |        |        |
| 75<br>-0.060<br>-0.030             | 80<br>+0.030                         | 80<br>+0.100<br>+0.055                      | 75.110<br>74.990  |                                     |   |      |      | 7530 | 7540 | 7550  | 7560  | 7570  | 7580  |        |        |        |
| 80<br>-0.045                       | 85<br>+0.035                         | 85<br>+0.120<br>+0.070                      | 80.155<br>80.020  | 0.201<br>0.020                      | 2.490<br>2.440                              |      |      |      | 8040 | 8050  | 8060  | 8070  | 8080  | 80100  |        |        |
| 85<br>-0.054                       | 90<br>+0.035                         | 90<br>+0.120<br>+0.070                      | 85.155<br>85.020  |                                     |   |      |      |      | 8540 | 8550  | 8560  | 8570  | 8580  | 85100  |        |        |
| 90<br>-0.054                       | 95<br>+0.035                         | 95<br>+0.120<br>+0.070                      | 90.155<br>90.020  |                                     |   |      |      |      | 9040 | 9050  | 9060  | 9070  | 9080  | 90100  |        |        |
| 95<br>-0.054                       | 100<br>+0.035                        | 100<br>+0.120<br>+0.070                     | 95.155<br>95.020  | 0.209<br>0.020                      |   |      |      |      |      | 9550  | 9560  | 9570  | 9580  | 95100  |        |        |
| 100<br>-0.054                      | 105<br>+0.035                        | 105<br>+0.120<br>+0.070                     | 100.155<br>100.020                                      |                                     |   |      |      |      |      | 10050 | 10060 | 10070 | 10080 | 100100 | 100115 |        |
| 105<br>-0.054                      | 110<br>+0.035                        | 110<br>+0.120<br>+0.070                     | 105.155<br>105.020                                      |                                     |   |      |      |      |      |       | 10560 | 10570 | 10580 | 105100 | 105115 |        |
| 110<br>-0.054                      | 115<br>+0.035                        | 115<br>+0.120<br>+0.070                     | 110.115<br>110.020                                      |                                     |   |      |      |      |      |       | 11060 | 11070 | 11080 | 110100 | 110115 |        |
| 120<br>-0.054                      | 125<br>+0.040                        | 125<br>+0.170<br>+0.100                     | 120.210<br>120.070                                      | 0.264<br>0.070                      | 2.465<br>2.415                              |      |      |      |      |       | 12060 | 12070 | 12080 | 120100 | 120115 |        |
| 125<br>-0.063                      | 130<br>+0.040                        | 130<br>+0.170<br>+0.100                     | 125.210<br>125.070                                      |                                     |   |      |      |      |      |       |       | 12560 | 12570 | 12580  | 125100 | 125115 |
| 130<br>-0.063                      | 135<br>+0.040                        | 135<br>+0.170<br>+0.100                     | 130.210<br>130.070                                      |                                     |   |      |      |      |      |       |       | 13060 | 13070 | 13080  | 130100 | 130115 |
| 140<br>-0.063                      | 145<br>+0.040                        | 145<br>+0.170<br>+0.100                     | 140.210<br>140.070                                      | 0.273<br>0.070                      |   |      |      |      |      |       |       | 14060 | 14070 | 14080  | 140100 | 140115 |
| 150<br>-0.063                      | 155<br>+0.040                        | 155<br>+0.170<br>+0.100                     | 150.210<br>150.070                                      |                                     |   |      |      |      |      |       |       | 15060 | 15070 | 15080  | 150100 | 150115 |
| 160<br>-0.063                      | 165<br>+0.040                        | 165<br>+0.170<br>+0.100                     | 160.210<br>160.070                                      |                                     |   |      |      |      |      |       |       | 16060 | 16070 | 16080  | 160100 | 160115 |
| 180<br>-0.063                      | 185<br>+0.046                        | 185<br>+0.210<br>+0.130                     | 180.216<br>180.070                                      | 0.279<br>0.070                      |   |      |      |      |      |       |       | 18060 | 18070 | 18080  | 180100 |        |
| 190<br>-0.072                      | 195<br>+0.046                        | 195<br>+0.210<br>+0.130                     | 190.216<br>190.070                                      |                                     | 2.465<br>2.415                              |      |      |      |      |       | 19060 | 19070 | 19080 | 190100 |        |        |
| 200<br>-0.072                      | 205<br>+0.046                        | 205<br>+0.210<br>+0.130                     | 200.016<br>200.070                                      | 0.288<br>0.070                      |   |      |      |      |      |       |       | 20060 | 20070 | 20080  | 200100 |        |
| 220<br>-0.072                      | 225<br>+0.046                        | 225<br>+0.210<br>+0.130                     | 220.216<br>220.070                                      |                                     |   |      |      |      |      |       |       | 22060 | 22070 | 22080  | 220100 |        |
| 250<br>-0.072                      | 255<br>+0.052                        | 255<br>+0.260<br>+0.170                     | 250.222<br>250.070                                      | 0.294<br>0.070                      |   |      |      |      |      |       |       |       | 25080 | 250100 |        |        |
| 260<br>-0.081                      | 265<br>+0.052                        | 265<br>+0.260<br>+0.170                     | 260.222<br>260.070                                      |                                     | 2.465<br>2.415                              |      |      |      |      |       |       |       | 26080 | 260100 |        |        |
| 280<br>-0.081                      | 285<br>+0.052                        | 285<br>+0.260<br>+0.170                     | 280.222<br>280.070                                      | 0.303<br>0.070                      |   |      |      |      |      |       |       |       |       | 28080  | 280100 |        |
| 300<br>-0.081                      | 305<br>+0.052                        | 305<br>+0.260<br>+0.170                     | 300.222<br>300.070                                      |                                     |   |      |      |      |      |       |       |       |       | 30080  | 300100 |        |